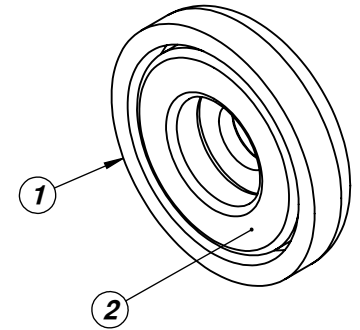
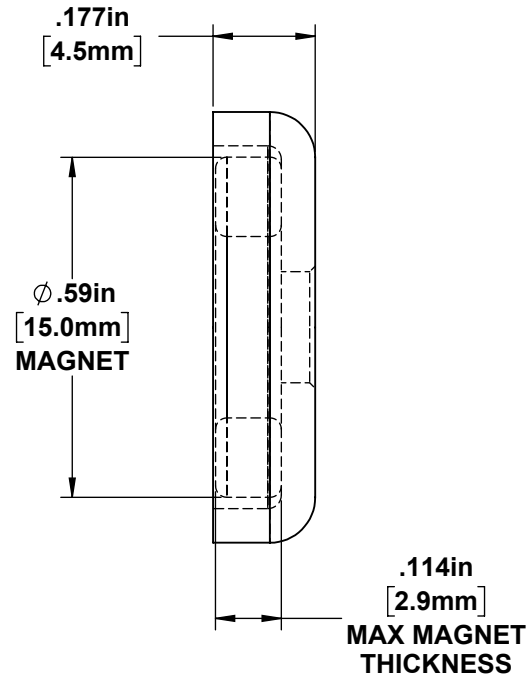
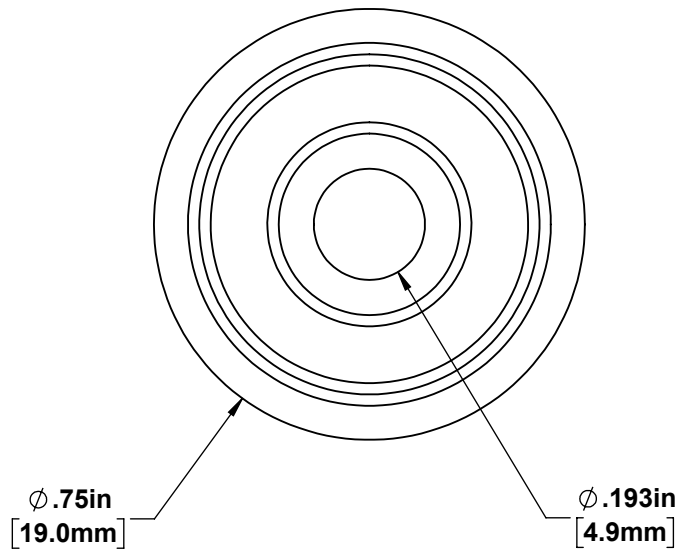
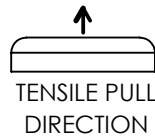


82000

| ITEM NO. | PART NUMBER | DESCRIPTION | MATERIAL | FINISH | QTY. |
|----------|--------------|-----------------------------------------------------------|------------|--------|------|
| 1 | 82000 CUP | Ø.75" (19mm) OD X .177" (4.5mm) THICK Ø.193" (4.9mm) HOLE | MILD STEEL | ZINC | 1 |
| 2 | 82000 MAGNET | 10 LB. Ø.591" (15mm) OD X .114" (2.9mm) MAX THICK | NdFeB 35M | NiCuNi | 1 |



| | |
|---------------------------------------------------------------------|----------------------|
| Mechanical Tensile Strength: | 10 lbs. (44N) |
| ALL TESTING PERFORMED USING 3mm MIN. THICK 1008-1010 STEEL PLATE | |



Please read before use! Disclaimer: Mag Daddy neither assumes nor accepts any liability for damages resulting from the handling or use of magnets. With your purchase, the buyer confirms that you have read and understand the following warnings: the buyer agrees that he/she is responsible for all damages/injuries caused by the magnets, which includes personal injuries, property damages or magnet damages. The buyer must agree with the terms before purchase. Pull forces we have provided are estimates only, we are not responsible for any inaccuracy of the magnet pull force. *Please test the pull force before any usage.* Magnets are very strong. Handling them with care is necessary to prevent personal injuries, property damages and magnet damages.
CAN BE HARMFUL TO PACEMAKER WEARERS and others with MEDICAL IMPLANTS.

INDOOR USE RECOMMENDED
OPERATING TEMPERATURE - -40° - 176° F (-40°- 80°C)

| | | | | |
|-------------------------------------------------------------------------------------------------------|------------------------------------------------------------------------------------------|-------------------------------------------------------------------------------|------------|------------------|
| CONFIDENTIAL: USE OF THIS DRAWING WITHOUT WRITTEN AUTHORIZATION BY MAG-DADDY, LLC IS PROHIBITED | | INCH <input checked="" type="checkbox"/> MM | SCALE: 3:1 | Sheet Size: A |
| GENERAL TOLERANCE: UNLESS OTHERWISE SPECIFIED: ± .020 (.51mm) | THIRD ANGLE PROJECTION | 295 Jamie Ln. Wauconda, IL 60084 www.magdaddyusa.com PH:(847) 719-5600 | | |
| ANGLES: ± 5° | APV. | Rev: 01 | DWN. SS | DATE: 07/17/2023 |
| MATERIAL: SEE BOM | PART DESCRIPTION: 10LB N35M Ø3/4" (19mm) MAGNET MOUNT Ø.197" (5mm) HOLE, SILVER | PART NO. 82000 | | |