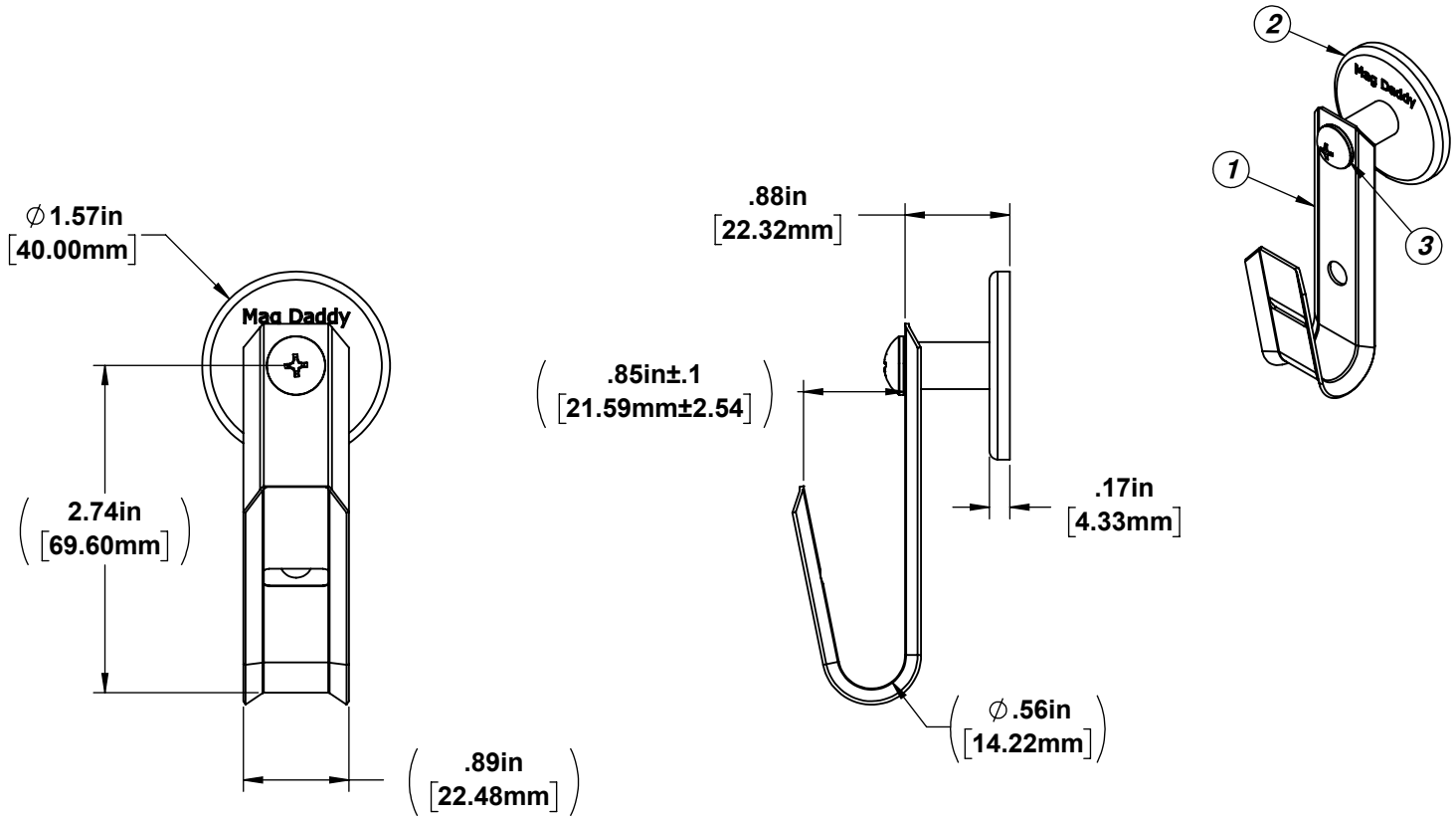


JH12MS	ITEM NO.	PART NUMBER	DESCRIPTION	MATERIAL	FINISH	QTY.
	1	JH12	3/4" J-HOOK WITH 1/4" THRU HOLES	19GA. STEEL	YELLOW ZINC	1
	2	MAG4TF	1/4-20 FEMALE THREAD, 45M NEODYMIUM MAGNET MOUNT, 90lbs. Ø1.57" (40mm)	CUP-CRS DC01 Steel MAGNET-NdFeB 45M	CUP-NiCuNi MAGNET-NiCuNi	1
	3	.25-20 X .5 PHPS	1/4-20 X 1/2" PAN HEAD PHILLIPS SCREW	STEEL	SILVER ZINC	1



JH12 CABLE CAPACITY	
Area .61 in ² Ø3/4"	
CABLE TYPE	QTY.
CAT. 5e	16
CAT. 6	10
CAT.6A	2-4

Mechanical Tensile Strength: JH12MS 15 LBS (67N)	
MAG4TF	Mechanical Tensile Strength: 90 LBS. (400N)
JH12	17 lbs. (75N)
ALL MAGNET TESTING PERFORMED USING 3mm MIN. THICK 1008-1010 STEEL PLATE	

Please read before use! Disclaimer: Mag Daddy neither assumes nor accepts any liability for damages resulting from the handling or use of magnets. With your purchase, the buyer confirms that you have read and understand the following warnings: the buyer agrees that he/she is responsible for all damages/injuries caused by the magnets, which includes personal injuries, property damages or magnet damages. The buyer must agree with the terms before purchase. Pull forces we have provided are estimates only, we are not responsible for any inaccuracy of the magnet pull force. *Please test the pull force before any usage.* Magnets are very strong. Handling them with care is necessary to prevent personal injuries, property damages and magnet damages.
CAN BE HARMFUL TO PACEMAKER WEARERS and others with MEDICAL IMPLANTS.

INDOOR USE RECOMMENDED

OPERATING TEMPERATURE --40° - 176° F (-40°- 80°C)

CONFIDENTIAL: USE OF THIS DRAWING WITHOUT WRITTEN AUTHORIZATION BY MAG-DADDY, LLC IS PROHIBITED		INCH <input checked="" type="checkbox"/> MM <input type="checkbox"/>	SCALE: 5:8	Sheet Size: A
GENERAL TOLERANCE: UNLESS OTHERWISE SPECIFIED: ± .030 (.76mm)	THIRD ANGLE PROJECTION	MAG DADDY MAGNETIC FASTENERS 295 Jamie Ln. Wauconda, IL 60084 www.magdaddyusa.com PH:(847) 719-5600		
ANGLES: ± 5°	APV.	REV: 01	DWN. SS	DATE: 10/26/2023
MATERIAL: SEE BOM	PART DESCRIPTION: 3/4" J Hook with Magnet Side Mounted	PART NO. JH12MS		