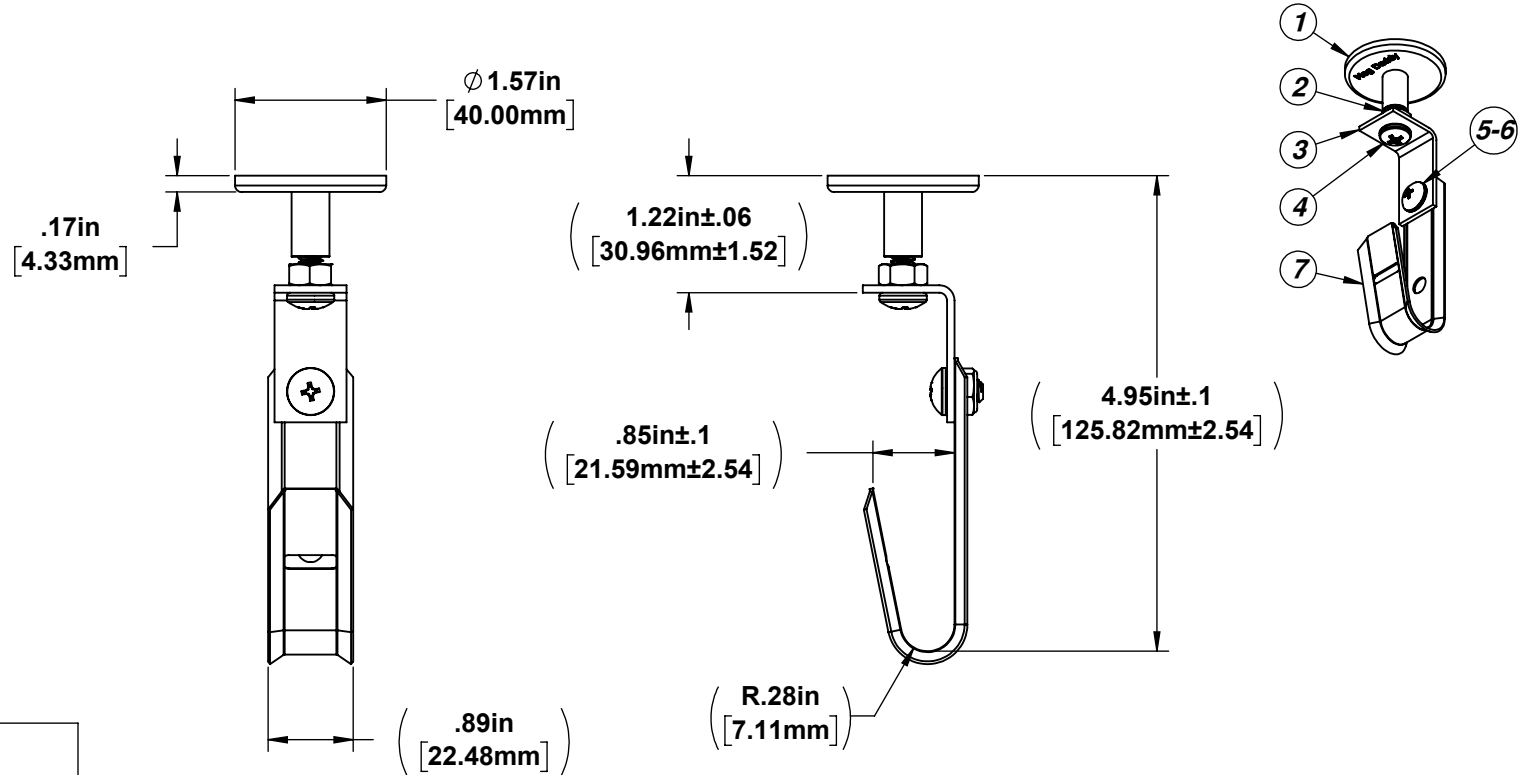



JH12MT

ITEM NO.	PART NUMBER	DESCRIPTION	MATERIAL	FINISH	QTY.
1	MAG4TF	1/4"-20 FEMALE THREAD 45M NEODYMIUM MAGNET MOUNT, 90lbs. Ø1.57" (40mm)		CUP-NICKEL MAGNET NiCuNi	1
2	.25-20 SS HEX NUT	1/4"-20 SS HEX NUT	18-8 STAINLESS STEEL		1
3	MOUNTING BRACKET	3/4" WIDE MOUNTING BRACKET WITH Ø1/4" HOLES	14GA. STEEL	SILVER ZINC	1
4	.25-20 X 1 PHPS	1/4"-20 X 1" SS PAN HEAD PHILLIPS SCREW	18-8 STAINLESS STEEL	PASSIVATED	1
5	.25 X .375 PHPS	1/4"-20 X 3/8" PAN HEAD PHILLIPS SCREW	STEEL	SILVER ZINC	1
6	.25-20 LOCKNUT	1/4"-20 THIN NYLON-INSERT LOCKNUT	STEEL	SILVER ZINC	1
7	JH12	3/4" J-HOOK WITH 1/4" THRU HOLES	19GA. STEEL	YELLOW ZINC	1





JH12 CABLE CAPACITY	
Area .61 in ² Ø3/4"	
CABLE TYPE	QTY.
CAT. 5e	16
CAT. 6	10
CAT.6A	2-4

 UL LISTING		
ANSI/UL 1565	Positioning Devices E359769	70 LBS. (311N) VERTICAL PULL
CAN	CSA-C22.2 No. 18.5	
ALL TESTING PERFORMED USING 3mm MIN. THICK 1008-1010 STEEL PLATE		

Please read before use! Disclaimer: Mag Daddy neither assumes nor accepts any liability for damages resulting from the handling or use of magnets. With your purchase, the buyer confirms that you have read and understand the following warnings: the buyer agrees that he/she is responsible for all damages/injuries caused by the magnets, which includes personal injuries, property damages or magnet damages. The buyer must agree with the terms before purchase. Pull forces we have provided are estimates only, we are not responsible for any inaccuracy of the magnet pull force. *Please test the pull force before any usage.* Magnets are very strong. Handling them with care is necessary to prevent personal injuries, property damages and magnet damages. CAN BE HARMFUL TO PACEMAKER WEARERS and others with MEDICAL IMPLANTS.

INDOOR USE RECOMMENDED
 OPERATING TEMPERATURE --40° - 176° F (-40° - 80°C)

<small>CONFIDENTIAL: USE OF THIS DRAWING WITHOUT WRITTEN AUTHORIZATION BY MAG-DADDY, LLC IS PROHIBITED</small>		INCH <input checked="" type="checkbox"/> SCALE: 1:2 Sheet Size: A MM <input type="checkbox"/>
GENERAL TOLERANCE: UNLESS OTHERWISE SPECIFIED: ± .030 (.76mm) ANGLES: ± 5°	THIRD ANGLE  PROJECTION	 295 Jamie Ln. Wauconda, IL 60084 www.magdaddyusa.com PH:(847) 719-5600
MATERIAL: SEE BOM	PART DESCRIPTION: 3/4" J Hook with Magnet Top Mounted	APV. _____ CK. _____ DWN. SS DATE: 11/16/22
		PART NO. JH12MT