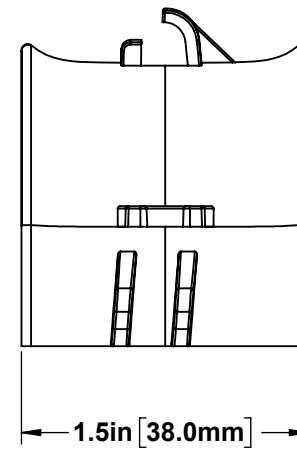
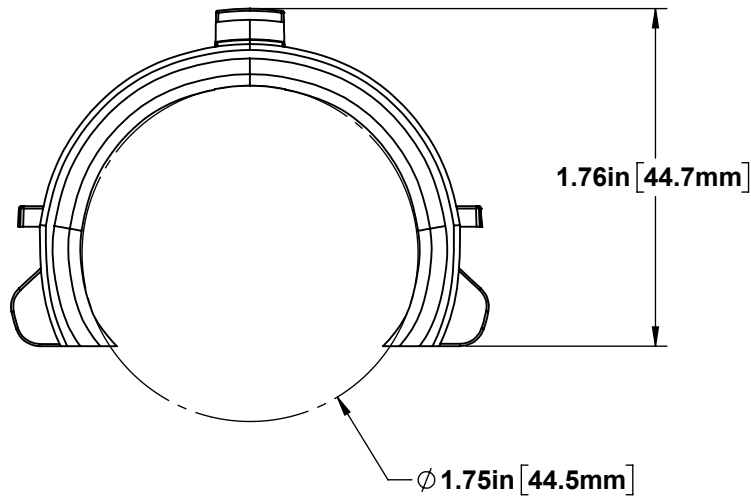
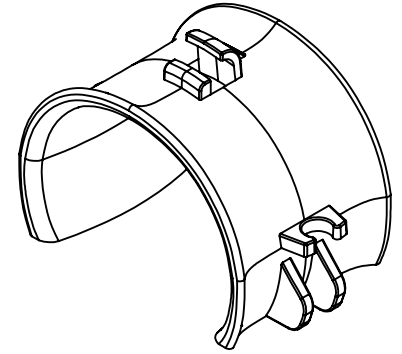
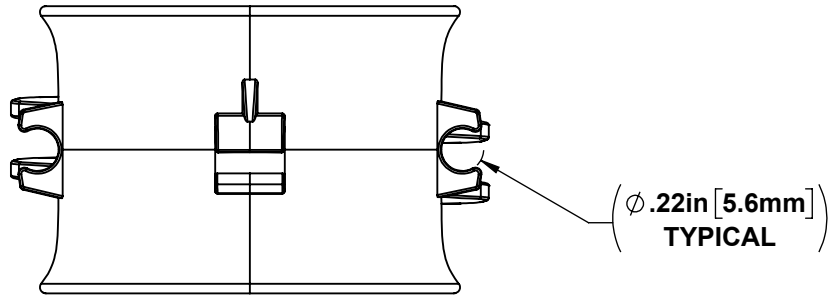
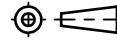



S200



INDOOR USE RECOMMENDED

Max operating temp; 180°F (82.2°C)

<small>CONFIDENTIAL: USE OF THIS DRAWING WITHOUT WRITTEN AUTHORIZATION BY MAG-DADDY, LLC IS PROHIBITED</small>		<small>INCH</small> <input checked="" type="checkbox"/>	<small>SCALE: 1:1</small>	<small>Sheet Size: A</small>
GENERAL TOLERANCE <small>UNLESS OTHERWISE SPECIFIED: ± .030 (.76mm)</small> <small>ANGLES: ± 5°</small>	<small>THIRD ANGLE</small>  <small>PROJECTION</small>	 <small>295 Jamie Ln. Wauconda, IL 60084 www.magdaddyusa.com PH:(847) 719-5600</small>		
<small>MATERIAL:</small> YELLOW PP POLYPROPYLENE	<small>PART DESCRIPTION:</small> 2" Saddle Ring	<small>APV.</small>	<small>REV:</small> 01	<small>DWN.</small> SS <small>DATE:</small> 09/06/23
		<small>PART NO.</small>		S200