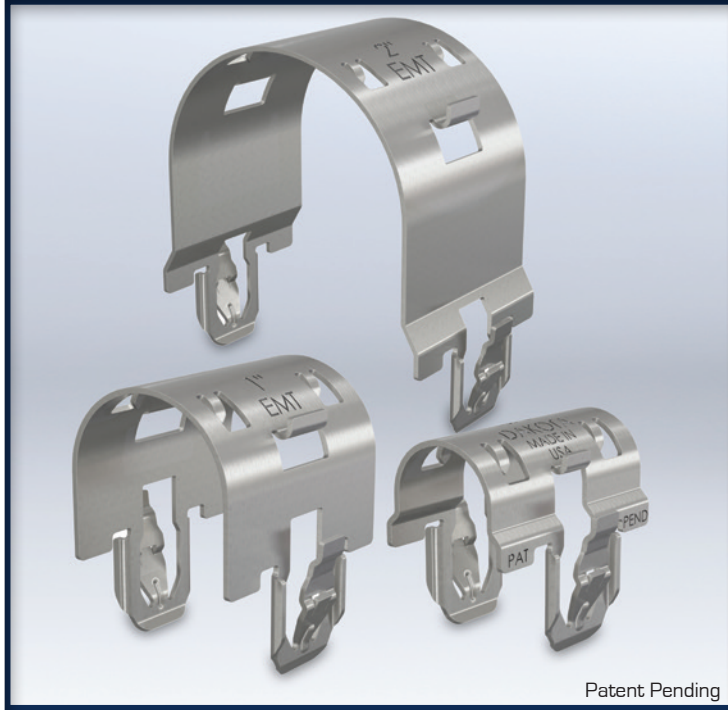


## EMT CONDUIT CLAMPS



### Features & Benefits:

- **HUGE time savings!**
- Quickly installed and removed
- High strength yield
- No measuring required
- No power tools required
- Clean and organized appearance
- Double row capable at top of electrical panel
- For use in interior and exterior applications
- Patent Pending
- Made in USA

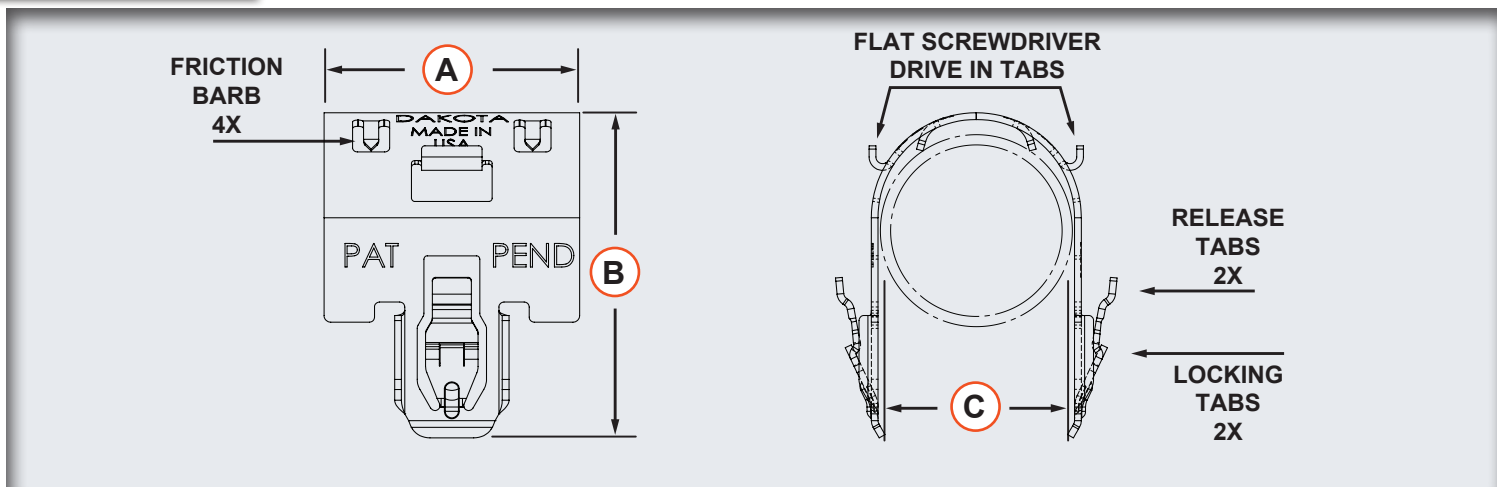


### Specs

Material	SAE Austempered Spring Steel
Finish	Dakota ProTect™ Wet/Dry: 1000hr SST
Color	Grey
Applications	Electrical

Patent Pending

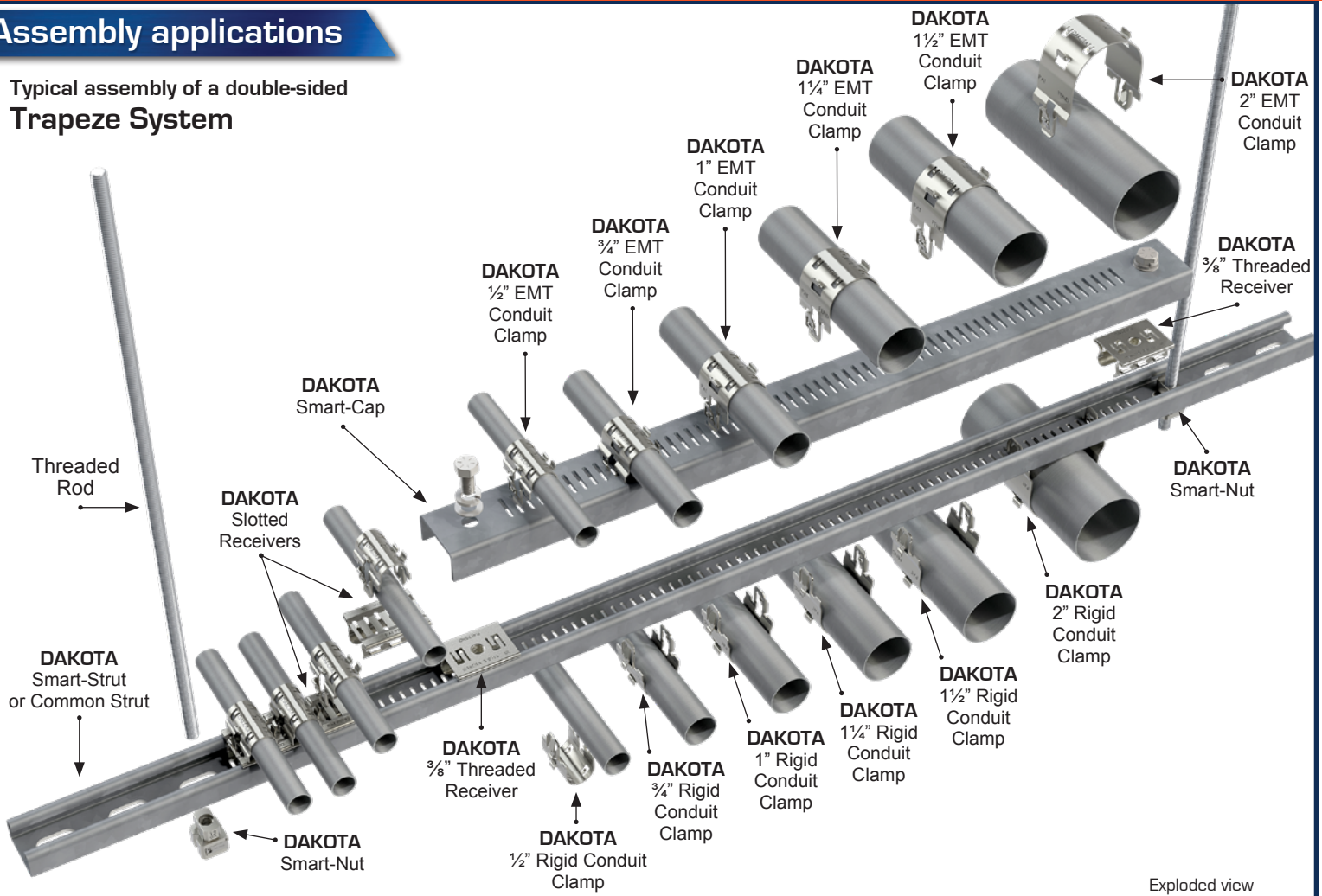
### Dimensions



Part #	Description	A - Width	B - Height	C - Pipe Diameter	Max Recommended Load 3x Safety Factor
DS-CC-12EMT-PT	½" EMT Conduit Clamp	1.496" (38.0mm)	1.433" (36.4mm)	0.706" (17.9mm)	400 lbs
DS-CC-34EMT-PT	¾" EMT Conduit Clamp	1.496" (38.0mm)	1.657" (42.1mm)	0.922" (23.4mm)	350 lbs
DS-CC-1EMT-PT	1" EMT Conduit Clamp	1.496" (38.0mm)	1.903" (48.3mm)	1.163" (29.5mm)	325 lbs
DS-CC-114EMT-PT	1 ¼" EMT Conduit Clamp	1.496" (38.0mm)	2.256" (57.3mm)	1.510" (38.4mm)	400 lbs
DS-CC-112EMT-PT	1 ½" EMT Conduit Clamp	1.496" (38.0mm)	2.486" (63.1mm)	1.740" (44.2mm)	400 lbs
DS-CC-2EMT-PT	2" EMT Conduit Clamp	1.496" (38.0mm)	2.935" (74.5mm)	2.197" (55.8mm)	400 lbs

# Assembly applications

## Typical assembly of a double-sided Trapeze System



Exploded view



Completed view

Visit [WWW.DAKOTASYSTEMSUSA.COM](http://WWW.DAKOTASYSTEMSUSA.COM) for

- "How To" Videos
- Time Savings Comparison Information
- Industry Specific Applications
- Product Specifications
- New & Upcoming Products

## DAKOTA product line



DAKOTA Clamps



DAKOTA Smart-Strut™



DAKOTA Smart-Caps™ & Receivers



DAKOTA Smart-Nut™