

DAKOTA RIGID CONDUIT CLAMPS



Features & Benefits:

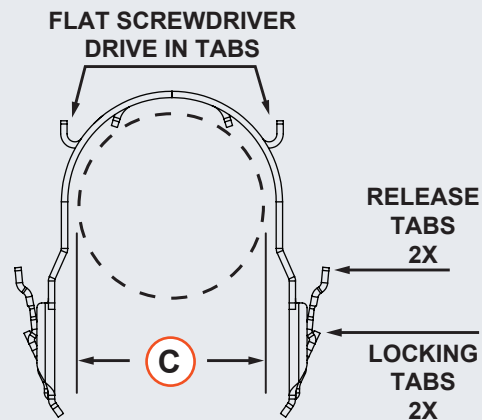
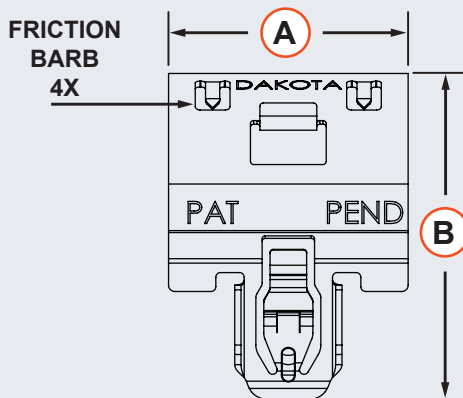
- **HUGE time savings!**
- Quickly installed and removed
- High strength yield
- No measuring required
- No power tools required
- Clean and organized appearance
- Patent Pending
- Made in USA



Specs

Material	SAE Austempered Spring Steel
Finish	Dakota ProTect™ Wet/Dry: 1000hr SST
Color	Grey
Applications	Mechanical

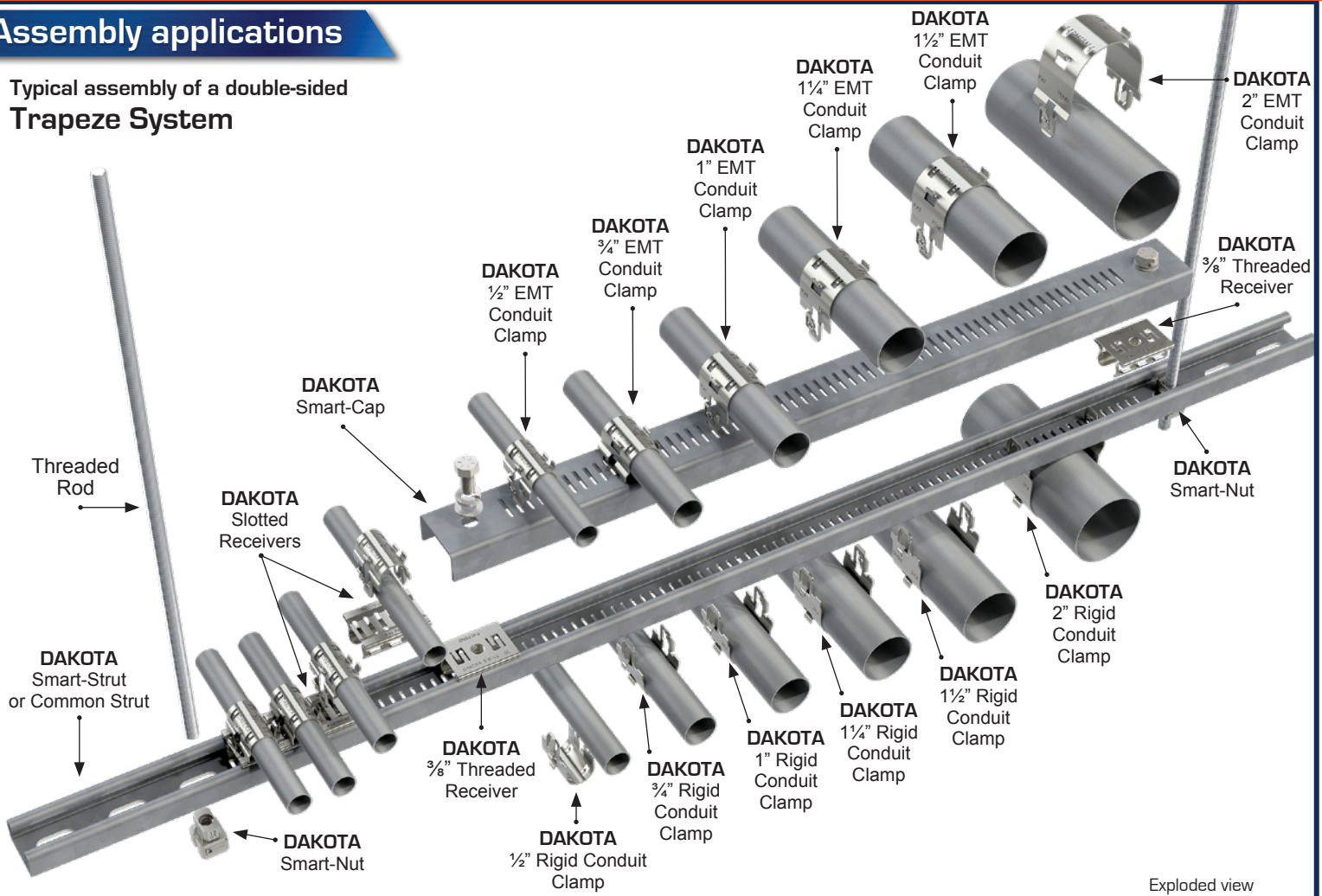
Dimensions



Part #	Description	A - Width	B - Height	C - Pipe Diameter	Max Recommended Load 3x Safety Factor
DS-CC-12R-PT	1/2" Rigid Conduit Clamp	1.496" (38.0mm)	1.583" (40.2mm)	0.840" (21.3mm)	400 lbs
DS-CC-34R-PT	3/4" Rigid Conduit Clamp	1.496" (38.0mm)	1.795" (45.6mm)	1.050" (26.7mm)	
DS-CC-1R-PT	1" Rigid Conduit Clamp	1.496" (38.0mm)	2.035" (51.7mm)	1.315" (33.4mm)	
DS-CC-114R-PT	1 1/4" Rigid Conduit Clamp	1.496" (38.0mm)	2.397" (60.9mm)	1.660" (42.2mm)	
DS-CC-112R-PT	1 1/2" Rigid Conduit Clamp	1.496" (38.0mm)	2.633" (66.9mm)	1.900" (48.3mm)	
DS-CC-2R-PT	2" Rigid Conduit Clamp	1.496" (38.0mm)	3.110" (79.0mm)	2.375" (60.3mm)	

Assembly applications

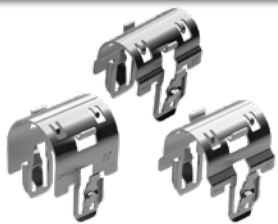
Typical assembly of a double-sided Trapeze System



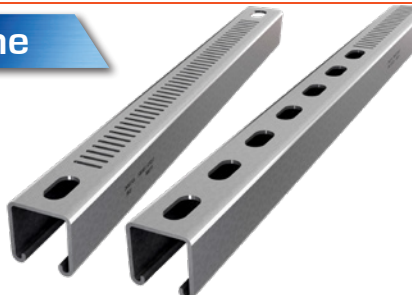
Visit WWW.DAKOTASYSTEMSUSA.COM for

- "How To" Videos
- Time Savings Comparison Information
- Industry Specific Applications
- Product Specifications
- New & Upcoming Products

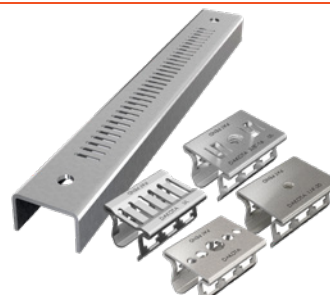
DAKOTA product line



DAKOTA Clamps



DAKOTA Smart-Strut™



DAKOTA Smart-Caps™ & Receivers



DAKOTA Smart-Nut™