

## RIGID IPS CLAMPS



### Features & Benefits:

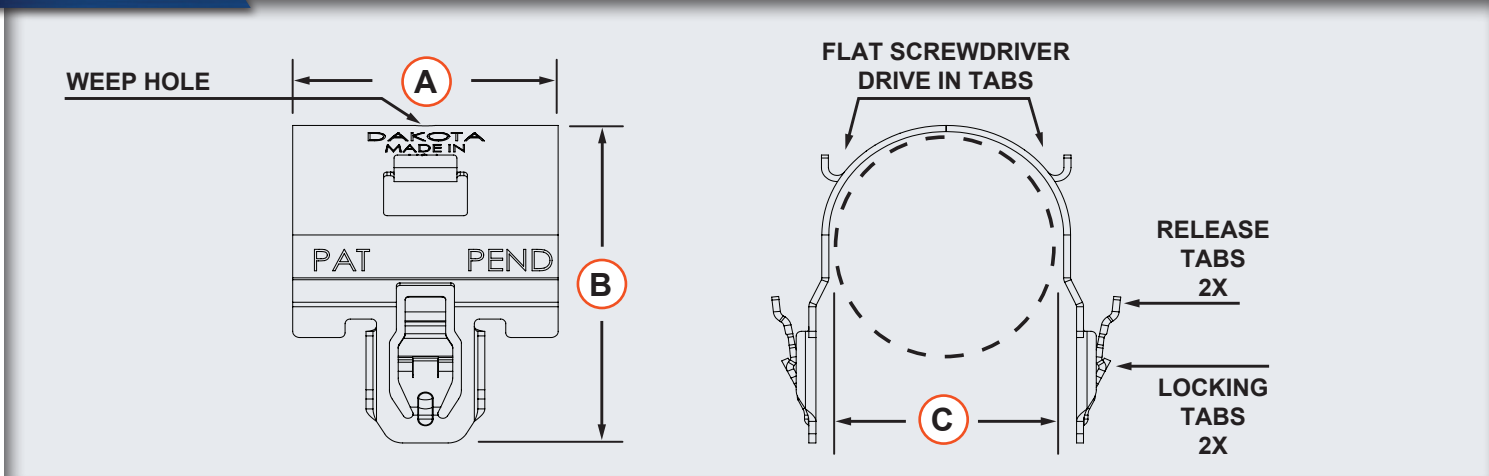
- **HUGE time savings!**
- Quickly installed and removed
- High strength yield
- No measuring required
- No power tools required
- Clean and organized appearance
- Patent Pending
- Made in USA



### Specs

<b>Material</b>	SAE Austempered Spring Steel
<b>Finish</b>	Dakota ProTect™ Wet/Dry: 1000hr SST
<b>Color</b>	Grey
<b>Applications</b>	Mechanical

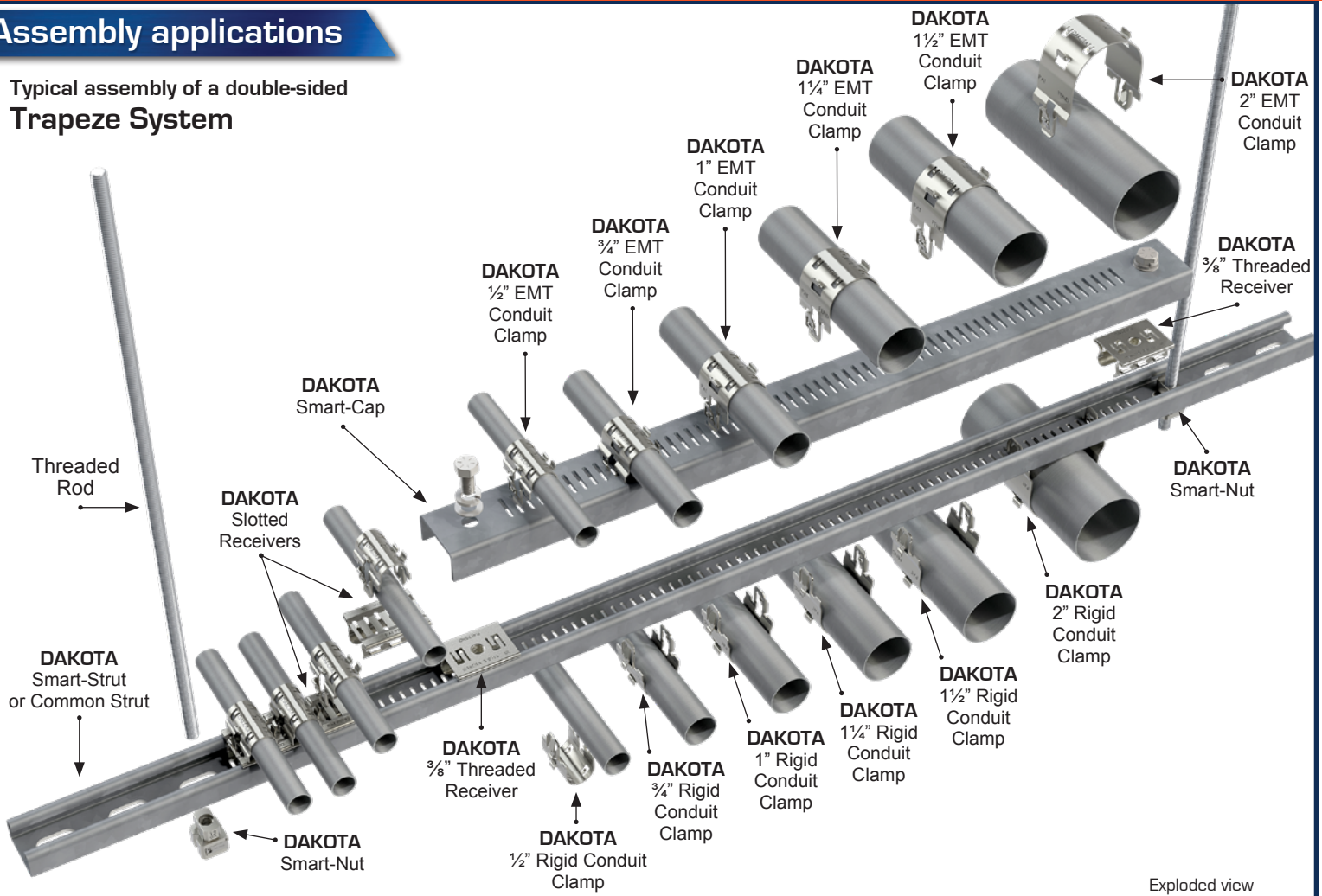
### Dimensions



Part #	Description	A - Width	B - Height	C - Pipe Diameter	Max Recommended Load 3x Safety Factor
DS-PC-12IPS-PT	1/2" Rigid IPS Clamp	1.496" (38.0mm)	1.579" (40.1mm)	0.840" (21.3mm)	400 lbs
DS-PC-34IPS-PT	3/4" Rigid IPS Clamp	1.496" (38.0mm)	1.789" (45.4mm)	1.050" (26.6mm)	
DS-PC-1IPS-PT	1" Rigid IPS Clamp	1.496" (38.0mm)	2.031" (51.6mm)	1.315" (33.4mm)	
DS-PC-114IPS-PT	1 1/4" Rigid IPS Clamp	1.496" (38.0mm)	2.391" (60.7mm)	1.660" (42.1mm)	
DS-PC-112IPS-PT	1 1/2" Rigid IPS Clamp	1.496" (38.0mm)	2.630" (66.8mm)	1.900" (48.2mm)	
DS-PC-2IPS-PT	2" Rigid IPS Clamp	1.496" (38.0mm)	3.110" (79.0mm)	2.375" (60.3mm)	

# Assembly applications

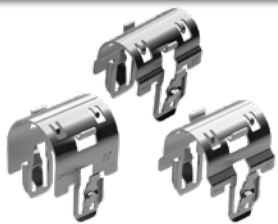
## Typical assembly of a double-sided Trapeze System



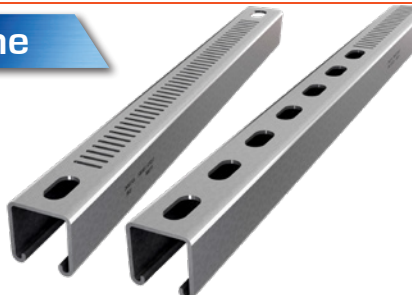
Visit [WWW.DAKOTASYSTEMSUSA.COM](http://WWW.DAKOTASYSTEMSUSA.COM) for

- "How To" Videos
- Time Savings Comparison Information
- Industry Specific Applications
- Product Specifications
- New & Upcoming Products

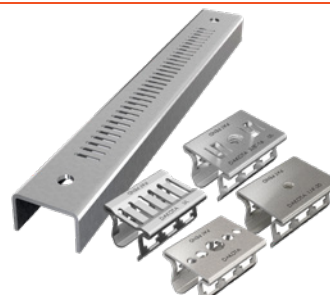
## DAKOTA product line



DAKOTA Clamps



DAKOTA Smart-Strut™



DAKOTA Smart-Caps™ & Receivers



DAKOTA Smart-Nut™