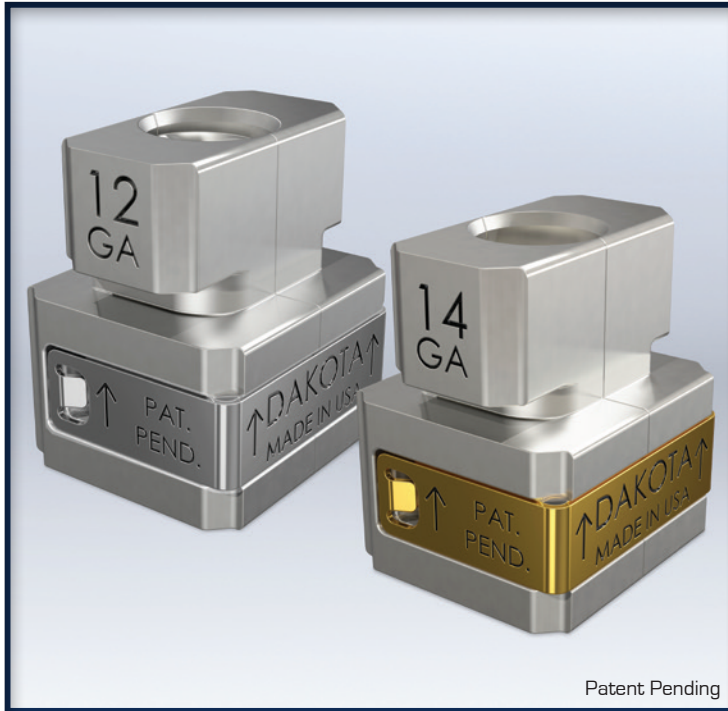


DAKOTA SMART-NUT™



Patent Pending

Features & Benefits:

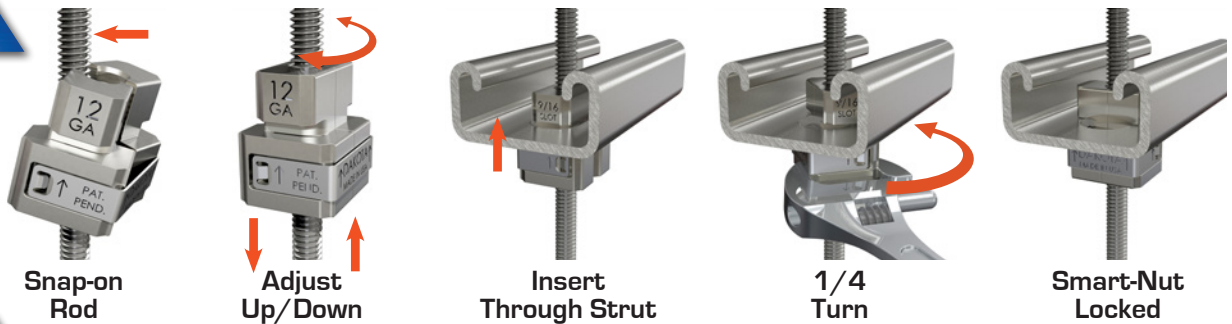
- **HUGE time savings!**
- Quickly installed and removed
- High strength yield
- To be used with 9/16" x 1-1/8" strut holes [use provided sizing clip when slot holes are oversized]
- No de-burring of threaded rods required
- No threading required
- Simplifies multiple level trapeze installation
- Multiple applications for threading fixtures to strut
- Patent Pending
- Made in USA



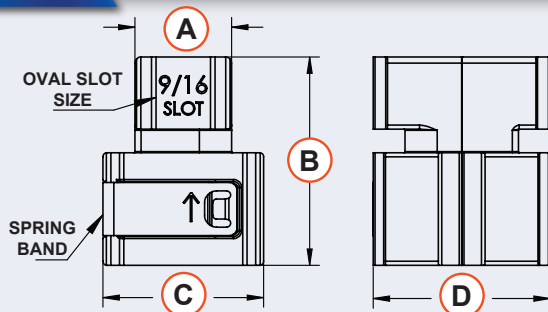
Specs

Material	Iron, Spring steel band
Finish	Zinc Electroplate Trivalent
Color	12 Gauge Silver 14 Gauge Gold
Applications	Attaching threaded rod and/or fixtures to slotted strut

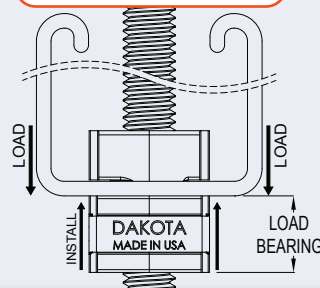
Installation



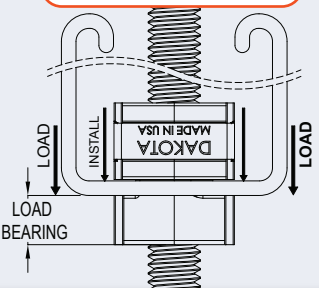
Dimensions



Install Direction A



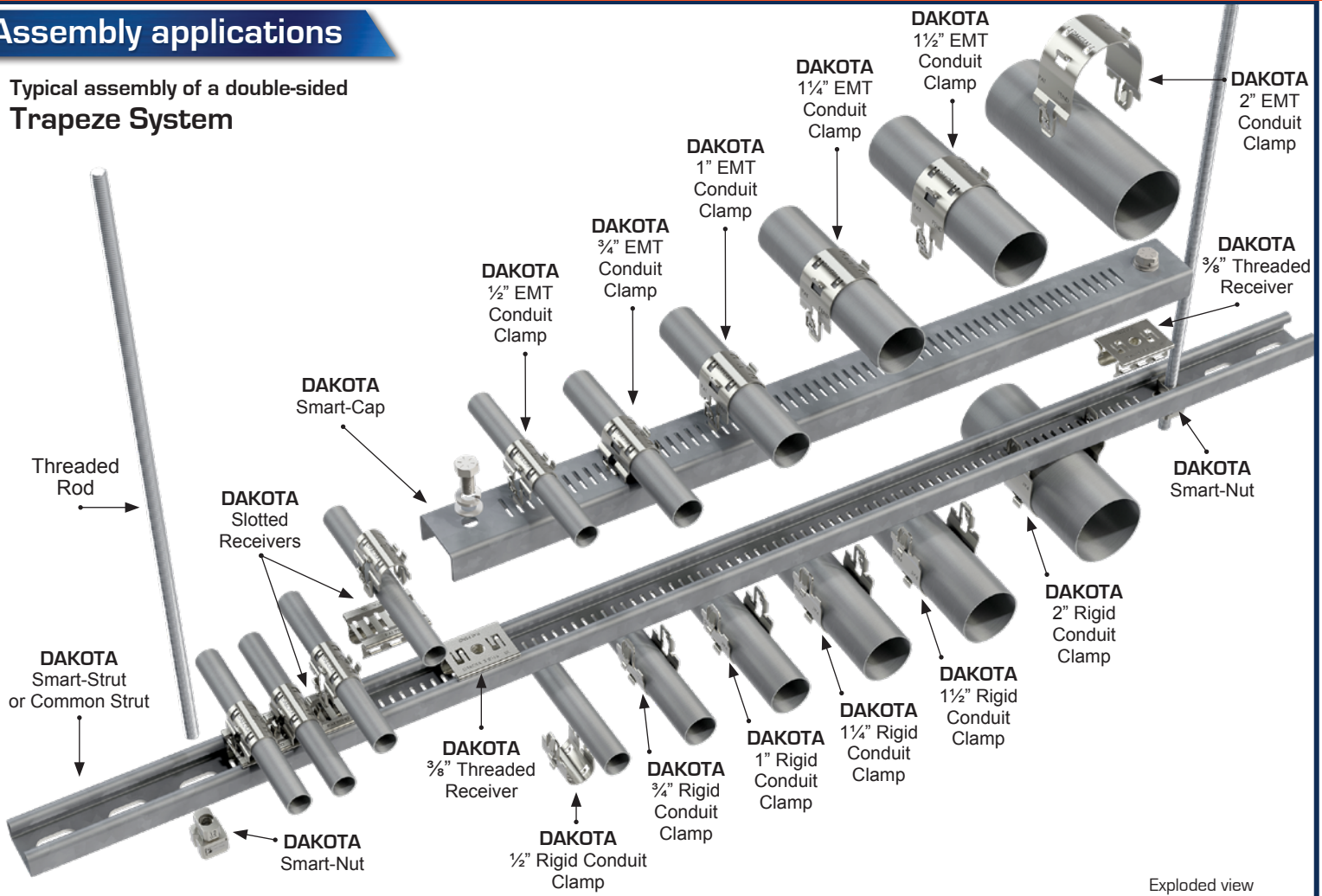
Install Direction B



Part #	Gauge	Thread	Spring Band	A Head Width	B Height	C Width	D Length	Install A	Install B
								Max Recommended Load 3x Safety Factor	Max Recommended Load 3x Safety Factor
DS-NUT14-14-EG	14	1/4" - 20	Gold	12 mm (0.472 in)	25.92 mm (1.020 in)	20.0 mm (0.787 in)	22.0 mm (0.866 in)	450 lbs	350 lbs
DS-NUT14-38-EG		3/8" - 16						450 lbs	350 lbs
DS-NUT12-14-EG	12	1/4" - 20	Silver					800 lbs	600 lbs
DS-NUT12-38-EG		3/8" - 16						800 lbs	600 lbs

Assembly applications

Typical assembly of a double-sided Trapeze System



Visit WWW.DAKOTASYSTEMSUSA.COM for

- "How To" Videos
- Time Savings Comparison Information
- Industry Specific Applications
- Product Specifications
- New & Upcoming Products

DAKOTA product line



DAKOTA Clamps



DAKOTA Smart-Strut™



DAKOTA Smart-Caps™ & Receivers



DAKOTA Smart-Nut™