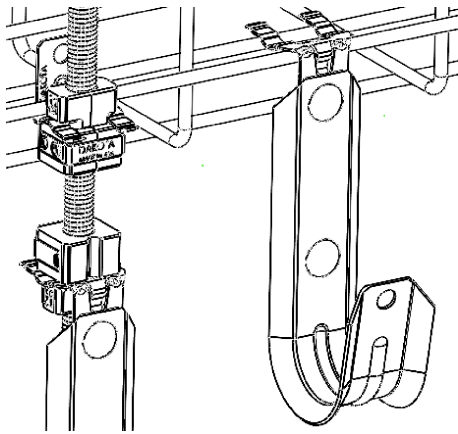
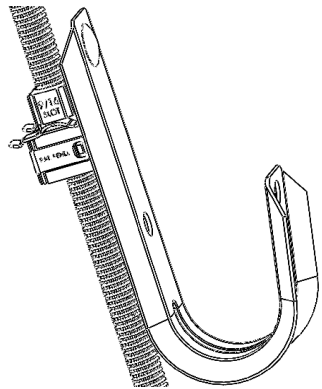
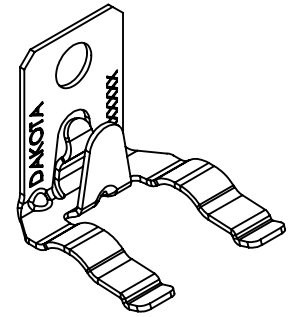
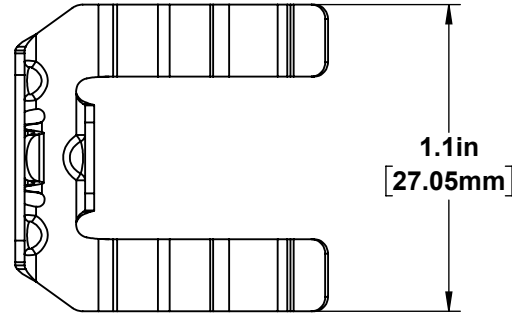
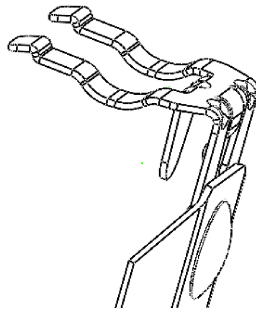


DS-HC-PT

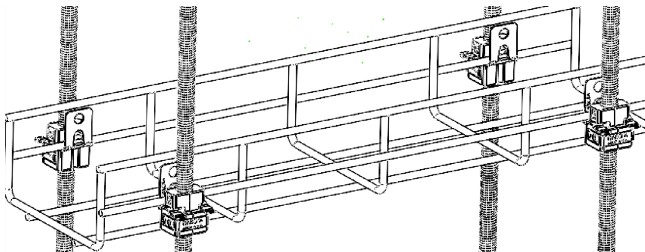
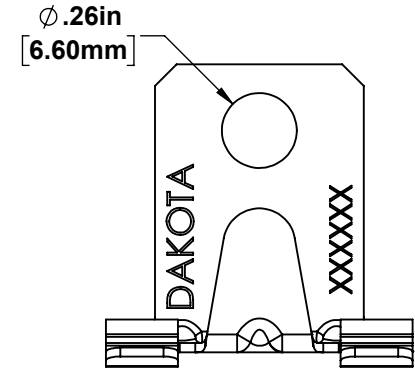
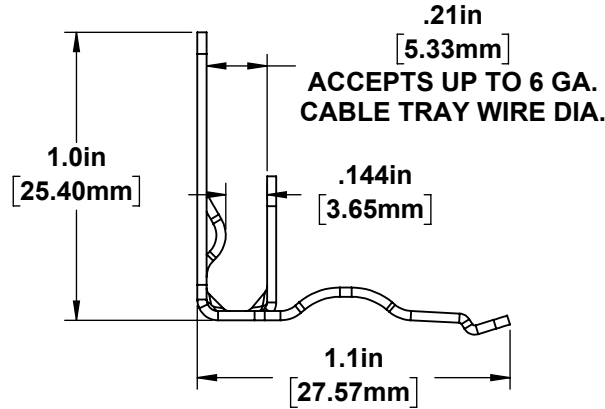


INVERTED HANGING CLIP MOUNTING APPLICATIONS

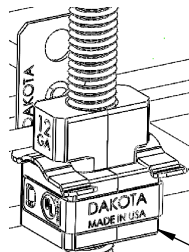
J-HOOK & ACCESSORY HANGING APPLICATIONS APPLICATION LOAD RATING 25 LBS.



J-HOOK & ACCESSORY TO THREADED ROD MOUNTING APPLICATION LOAD RATING 25 LBS.




CABLE TRAY SUPPORT APPLICATION LOAD RATING 75 LBS EACH ON DISTRIBUTED LOAD.



DAKOTA SMART-NUT SOLD SEPERATELY

LOAD RATINGS BASED ON 3X SAFETY FACTOR

CONFIDENTIAL: USE OF THIS DRAWING WITHOUT WRITTEN AUTHORIZATION BY MAG-DADDY, LLC IS PROHIBITED		INCH <input checked="" type="checkbox"/> SCALE: 1.5:1	Sheet Size: A
GENERAL TOLERANCE UNLESS OTHERWISE SPECIFIED: ± .020 (.51) ANGLES: ± 3°		THIRD ANGLE  PROJECTION	DAKOTA D SYSTEMS
MATERIAL: .032 SAE 1050 SPRING STEEL YELLOW ZINC PLATED	PART DESCRIPTION: HANGING CLIP	APV. _____ CK. _____ DWN. SS DATE: 10/13/2022	PART NO. DS-HC-PT