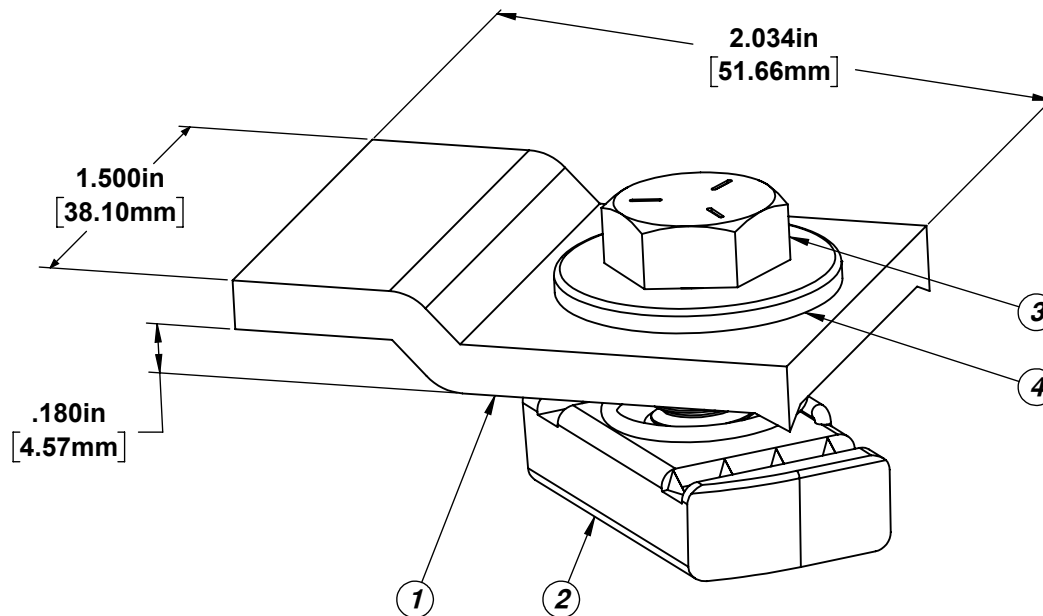


DS-HDC

ITEM NO.	PART NUMBER	DESCRIPTION	MATERIAL	FINISH	QTY.
1	2-144472	BIS HOLD DOWN CLAMP	ALUMINUM	-	1
2	DS-CNUT-38	Short Spring Channel-Nut Assembly 3/8-16 Thread	Steel	Zinc	1
3	110120344	3/8-16 X 1" Steel Hex Head Screw	Steel	Zinc	1
4	0159679	3/8" x 1.0" OD Low Carbon Steel Flat Washer	Steel	Zinc	1



<small>CONFIDENTIAL: USE OF THIS DRAWING WITHOUT WRITTEN AUTHORIZATION BY MAG-DADDY, LLC IS PROHIBITED</small>		INCH <input checked="" type="checkbox"/> <small>SCALE: 3:2</small> MM <input type="checkbox"/> <small>Sheet Size: A</small>
GENERAL TOLERANCE UNLESS OTHERWISE SPECIFIED: ± .020 (.51) ANGLES: ± 3°	THIRD ANGLE PROJECTION	
PART DESCRIPTION: PRE-ASSEMBLED LADDER TRAY CLAMP W/CHANNEL NUT	DATE: 03/25/24 DWN. SS	PART NO. DS-HDC